

TEMPERATURE ALARM/CONTROLLERS

Models 1711 A2-6 , 1721 A2-6 & 1712 A1-9 ,1722 A1-9

These combination temperature alarms and controllers can be used to actuate solenoids, motors, pumps, compressors, sirens, lights, etc. They can be used in applications such as ovens, freezers, storage rooms, tanks or on any equipment where temperature extremes can cause product damage. The many combinations of alarm and controller features make this product line very versatile. All models in this series have a single thermocouple input and are AC powered.

Wall mountable aluminum enclosure with hinged front panel for clear wiring access

Bright 9/16" (14mm) red LED display

Latching audible ALARM (85 DB) with adjustable time delay

Manual ONE-TOUCH audio silence button

Direct or reverse acting ALARM relays with or without safety manual resets

Setpoints are HI/LO selectable (internal jumpers) and adjustable with small screwdriver.

ON/OFF control relays have adjustable 1-10 degree re-sets.

Single thermocouple input, safety biased for temperature rise on broken probe connection



Shown at 80% of actual.

FEATURES:

TC calibrations available are *T, K, J, or E* linearized over wide ranges in four sections for good accuracy.

RTD cold junction compensates accurately for ambient temperature changes as fast as 2° per minute.

High impedance design allows sense locations to be as far away as 1000 feet using 24 ga. TC wire.

Setpoints have press to view button and small access hole for screw driver adjustment. Wide setpoint range has coarse internal trimmers. All setpoints have selectable time delays of 1, 30 or 60 seconds.

Alarms are HIGH/LOW selectable and **Control Relays** are HEATING/COOLING selectable with internal jumpers. LED indicators on the front panel show relay and alarm status.

Alarm Audio warning is 85 DB loud and latches until manually reset.

SPECIFICATIONS:

Display Range:

-199° to 1999° F or C. Usable range varies with TC type (see ordering section).

Measuring Accuracy:

±½% of reading ±1 degree using ANSI millivolt-temperature standards.

Instrument Environmental Range:

-15° to 130° F (-26° to 54° C) and 90% R.H. max. (no condensation).

Cold Junction Offset:

One degree max. for an ambient range of 32° to 110° F (0° to 43° C).

Display Indication:

Updated three times per second on LED digits 0.56" (14 mm) high.

Construction & weight:

Aluminum enclosure with features provided for surface mounting. Weighs appx. 1.8 lbs (0.8 kg.) with power cord.

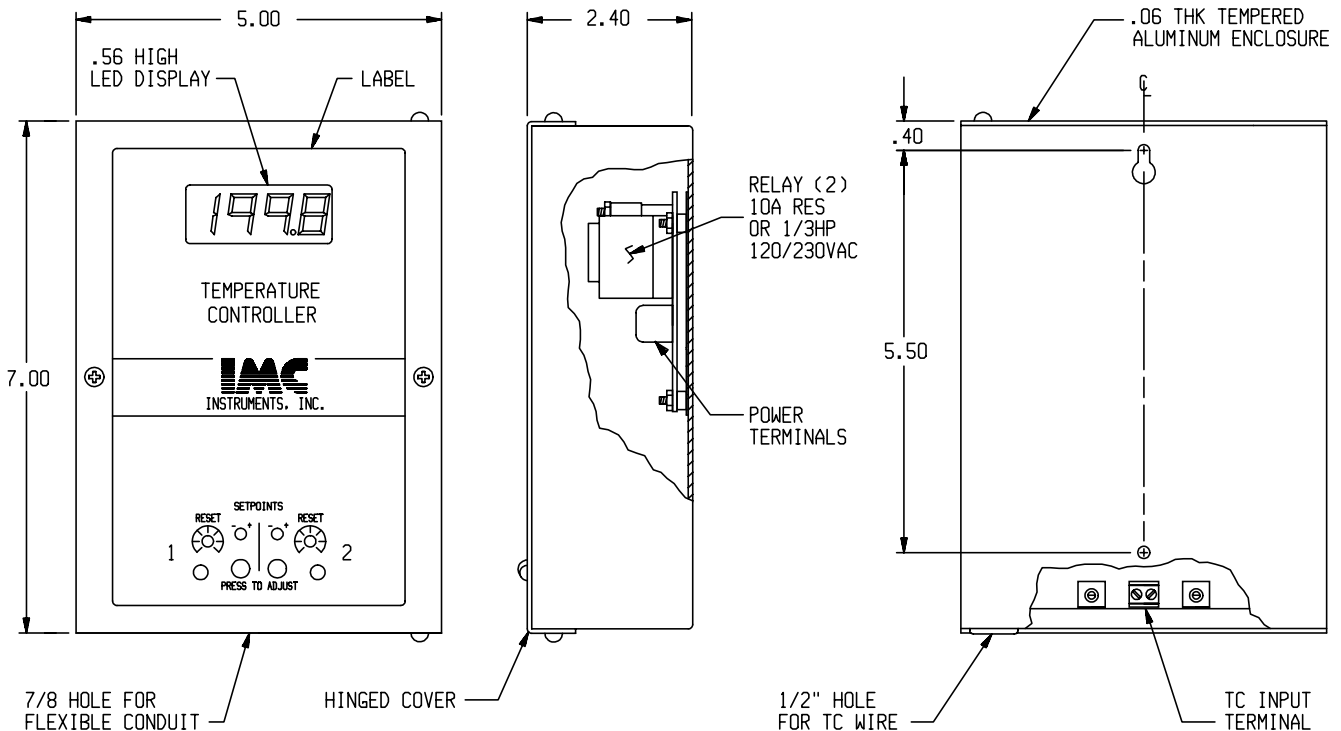
Power Requirement:

120VAC at 0.2 amp. or 230VAC.

Mechanical relays:

10 amp. @ 120VAC max. or 7 amp. @ 230VAC max.

MECHANICAL DETAIL: Enclosure dimensions for model 1712 - A1 to A9. Relay location and front panel details vary depending on exact configuration ordered.



ALL DIMENSIONS ARE INCHES

ORDERING INFORMATION:

All prices listed below are F.O.B. factory or distributor warehouse. Contact distributor listed below for assistance. Products are warranted against material or workmanship defects for a full year from date of shipment. Orders under \$ 100.00 will be charged \$ 5.50 for handling.

OPTION - MODEL

9				0	-	1	7		
---	--	--	--	---	---	---	---	--	--

ALARM / CONTROL STYLE - 1 SETPOINT ONLY: _____

- Manual reset relay, audio alarm
- Auto reset relay, audio alarm
- Audio alarm
- Manual reset relay

- 1A2
- 1A4
- 1A5
- 1A6
- 2A1
- 2A2
- 2A3
- 2A4
- 2A5
- 2A6
- 2A7
- 2A8
- 2A9

ALARM / CONTROL STYLE - 2 SETPOINTS: _____

- manual reset 1 & 2, two relays, audio alarm
- manual reset 1 & 2, one relay, audio alarm
- auto reset 1 & 2, two relays, audio alarm
- auto reset 1 & 2, one relay, audio alarm
- auto reset 1 & 2, audio alarm
- manual reset 1 & 2, two relays
- 1= ON/OFF controller; 2= audio alarm
- 1= ON/OFF controller; 2= manual reset relay
- 1= ON/OFF controller; 2= manual relay & audio alarm

POWER INPUT: _____

- 120 VAC 50/60 HZ at screw terminals
- 230 VAC 50/60 HZ at screw terminals

SCALE: _____

- Fahrenheit reading
- Celsius reading

THERMOCOUPLE CALIBRATION: _____

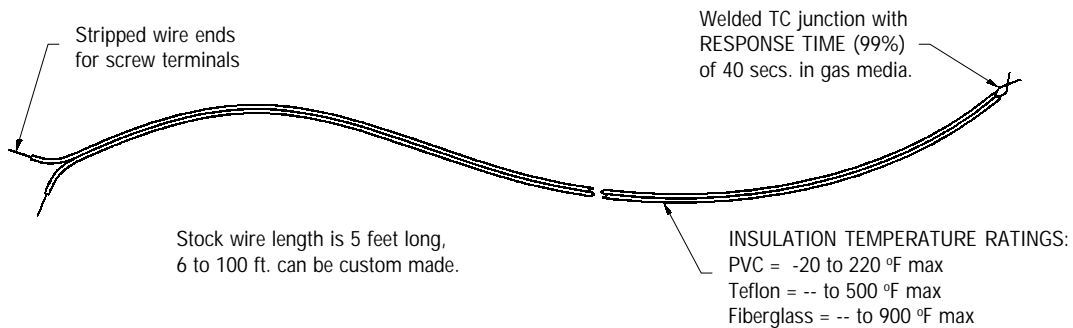
- K type 1/2% range is -60 to 2000°F (-50 to 1100°C)
- T type 1/2% range is -60 to 400 °F (-50 to 205°C)
- J type 1/2% range is -60 to 1400°F (-50 to 750°C)
- E type 1/2% range is -60 to 1650°F (-50 to 900°C)

4
5

1
2

2
3
4
5

Refer to sheet titled "PERMANENT INSTALLATION TC PROBES" for the selection of wire and probes to complete any measuring system.



Prices and specifications are subject to change without notice

DS1712A - 01/97



INSTRUMENTS, INC.

N60W14434 Kaul Avenue, Menomonee Falls, WI 53051

Tel: (262) 252-4620 Fax: (262) 252-4623

www.imcinstruments.com sales@imcinstruments.com

DISTRIBUTED BY: