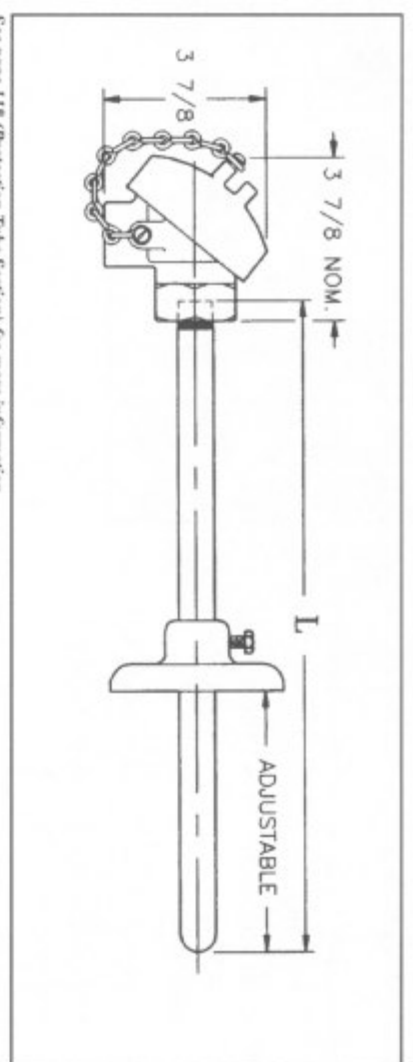
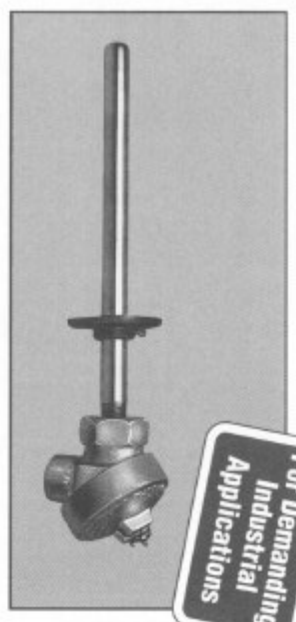


Metal Protection Tube Assemblies

17020 Series

- Adjustable Flange Mounting Assembly
- Ideal For Application Where Flow And Pressure Are Not A Major Concern
- Explosion Proof Head Is Standard
- Cost Is Generally Lower Than Barstock Thermowells



See page 118 (Protection Tube Section) for more information.

